

POWER MONITORING & PROTECTION

VOLTAGE DISCONNECT SWITCH BLOCK, CT SHORTING SWITCHES 209PF, U3889



DESCRIPTION

The **Kele Model U3889 Voltage Disconnect Switch Block** provides a means for disconnecting power monitoring equipment. It provides isolation from line voltage and will short out and disconnect current transformer secondaries, preventing transformer damage that may occur when the circuit is opened under load. One side of the switch is connected to the circuits being measured; the other side of the switch is connected to the power monitoring equipment. The black plastic cover (**209PF**) is constructed so that all switches must be in the closed position before the cover can be sealed.

FEATURES

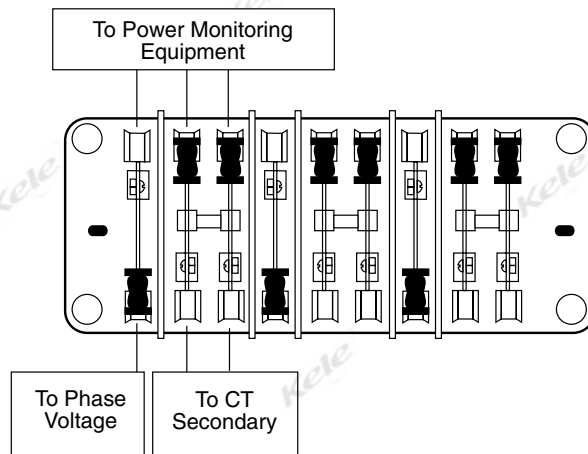
- Provides voltage disconnect and CT shorting/disconnect for power instrumentation
- Available in convenient metal screw cover enclosure
- Color-coded switch handles
- UL recognized



SPECIFICATIONS

Voltage Rating	600V
Current Rating	30 A
Dimensions	
Switch	9.5"L x 3.5"W x 2.75"D (24.1 x 8.9 x 7 cm)
Cover (209PF)	10.1"L x 4.6"W x 3.1"D (25.7 x 11.7 x 7.9 cm)
Optional enclosure	Metal screw cover box, NEMA 1 12"L x 10"W x 4"D (30.5 x 25.4 x 10.2 cm)
Weight	2.9 lb (1.3 Kg) 3.5 lb (1.5 Kg) with cover 11 lb (5 Kg) with enclosure
Approvals	UL-recognized component, File #E109317
Warranty	Lifetime (normal use)

WIRING



- Notes:
1. Red switch pulled up disconnects voltage.
 2. Black switch pair pulled up shorts CT secondary and disconnects load from CT.

ORDERING INFORMATION

MODEL	DESCRIPTION
U3889-E	Switch block mounted in a 12" x 10" x 4" metal screw cover box
U3889	Switch block
209PF	Switch cover (not for use with U3889-E)